

Precision Electronic Components Mfg. Co.

B-51, Electronics Complex, Kushaiguda, ECIL PO, Hyderabad, A.P., INDIA 500062. ☎(91)-(40) 7120283, 7126228 Fax: (91)-(40) 7126221



Committed to Quality

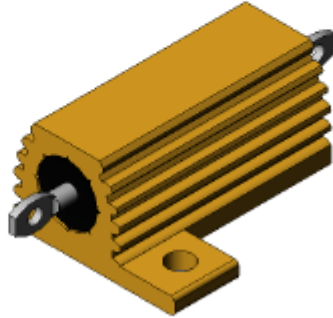
PHA25 Wirewound Resistor, Aluminium Housed, Chassis Mount - Professional & Military Applications.

Reference Standards

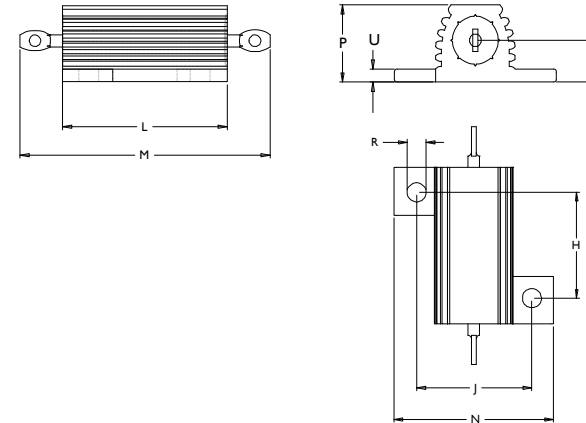
- BS-CECC 40203-001
- MIL-R-18546

Key Features

- External Aluminium Encasing
- Power Rating 25W@25°C
- Excellent Stability in Operation
- Non-Inductive & Close Tolerance
- All Welded Construction for Maximum Reliability
- Moulded Construction for Excellent Environmental Protection



Dimensional Specifications



Electrical & Performance Specifications

Specification	Unit	Values
Ohmic Value	in Ohms	R051 - 20K
Available Tolerances	in %	± 0.05, ±0.1, ±0.25, ±0.5, ±1, ±2, ±3, ±5, ±10
Max. Working Voltage	V(DC/ACRMS)	550
Dielectric Strength	V(AC Peak)	2500
Stability	in % Resistance change /1000 hrs	I
Surface Temp. Rise Mounted on Std. Heatsink	°C / Watt	4.4
Std. Heatsink Area	in cm ²	535
Std. Heatsink Thickness	in mm	I
Approx. weight	in Grams	12.5
Dissipation@25°C	in Watts	25 (With Heatsink)
Dissipation@25°C	in Watts	12.5 (Without Heatsink)
Mounting Style		2 HOLE
Climatic Standard		55 / 200 / 56

Type	Dimensions											
	H	J	L _{MAX}	L _{NOM}	M _{MAX}	N	P _{MAX}	R		T	U	
In mm	18.3	19.8	29.0	27.5	51.8	28.0	15.0	MIN 2.8	NOM 3.3	6.7	MAX 3.2	NOM 2.0
Tol	± 0.3	±0.3								± 0.5		
In Inches	0.720	0.780	1.142	1.082	2.039	1.102	0.590	0.110	0.129	0.283	0.126	0.079
Tol	±0.012	±0.012								±0.020		

Ordering Procedure

Type	Wattage	Ohms	Tol.	Special Requirements -if any.
PHA	25W	R051 -20K	F = 1% G = 2% J = 5% K = 10%	

Minimum Order Quantity (MOQ) :100 Nos per Resistance Value per Release

This publication is issued to provide outline information only and (unless specifically agreed to the contrary by the Company in writing) is not to form part of any order or be regarded as a representation relating to the products or service concerned. We reserve the right to alter without notice the specification, design, price or conditions of supply of any product or service. Whilst products are of the very highest quality and reliability, all electronic components can occasionally be subject to failure. Where failure of a product could result in life threatening consequences, the circuit and application must be discussed with the Company. Such areas might include ECG, respiratory, other medical and nuclear applications and any non fail safe applications circuit.